

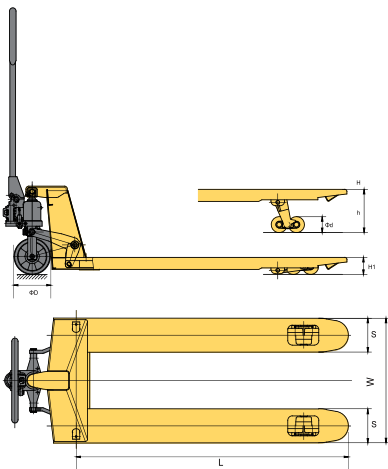
PWH20/25/30-III

HAND PALLET TRUCK

- ◆ Fully automatic robot welding chassis, make sure the the precision, consistency, lead to reliable quality and longer life time.
- ◆ High quality and easy maintenance pump equipped. More than 50 million pieces produced each year, high reliable quality and extremely low failure rate.
- ◆ Small pump body removable design. If there are any failure on the small pump, it can be fixed via only changing it rather than replace the whole pump assembly. Save cost and easy maintenance.
- ◆ High quality spring used to make sure long life time.



MODEL		PWH20-III	PWH25-III			PWH30-III		
FEATURE								
1.1	capacity	kg	2000	2500			3000	
1.2	pump type		Welded pump	DF Casted Pump			DF Casted Pump	
WHEEL								
2.1	wheel(drive/load) Type		PU/RU/Nylon	PU/RU/Nylon			PU/RU/Nylon	
2.2	size of steering wheel	ΦD mm	160*50	180*50	180*50	200*50	180*50	200*50
2.3	size of Loading wheel(single wheel)	Φd mm	70*80	74*93	80*93	80*93	74*93	80*93
2.4	size of Loading wheel(double wheel)	Φd mm	70*60	74*70	80*70	80*70	74*70	80*70
DIMENSIONS								
3.1	lifting height	h mm	115	115			115	
3.2	max. fork lifting height	H mm	190	195	200	200	195	200
3.3	Lowered height of fork	H1 mm	75	75	85	85	75	85
3.4	fork outside distance	W mm	520/550/685	520/550/685			520/550/685	
3.5	fork length	L mm	900/1100/1150/1220	900/1100/1150/1220			900/1100/1150/1220	
3.6	fork width	S mm	150	160			160	
3.7	steel thickness(after painting)	mm	2.5	3			3.75	
3.8	weight	kg	40-57	61-68			71-79	



Hand Pallet Truck



- ◆ Well designed opening space for loading wheel, better protection for the wheel, and push rod, wheel fork etc.



- ◆ Tough chassis design to ensure the stability and reliability.
- ◆ Extra supporting rod added, tough and longer chassis life time.



- ◆ Rigid rock arm design.



- ◆ Bridge plate for 2.0T; Half length stiffener for 2.5T; Full length stiffener for 3T.



- ◆ Adjustable push rod design. In case of the hand pallet truck used after one year, the 2 forks might not be on the same level, with this design, it still can be adjustable.

- ◆ Reliable quality loading and guide roller, good quality screw to ensure the stability, Life time is much longer than others.
- ◆ Good quality wheels and bearings.



- ◆ Unique Fork design
Grooved forks, punched by heavy presser, much stronger than normal flat fork. 400kgs fork intensity increases at static load.



- ◆ Option of different coating material for both steering wheel and fork rollers.